

# HD TV Antenna

## Quick Start Guide | ATVA100



### CAUTIONS:



1. Please read through the instructions before use.
2. Please keep this unit out of reach of children and pets.
3. Please unplug the power cord if you plan to travel for some time or to stop use of this unit for a long time.

### HOW TO USE:

1. Connect the "TO TV" cable for signal output from this unit into the signal input jack on the back of your HD/ATSC TV or digital converter box
2. Insert the power plug from this unit into a power outlet
3. (Optional) Connect an external antenna for signal input to the "EXT ANT" jack on the unit.
4. Use the control knob on the back panel of this unit to power on the device and to adjust the gain.

\* For receiving VHF signals, first turn the antenna to a proper position, then adjust the antenna's length and angle to improve the receiving effect. Adjust the control knob to obtain a proper gain for best receiving effect.

\* For receiving UHF signals, first adjust the frame down or to the sides to a proper position, then adjust the control knob to obtain a proper gain for best receiving effect.

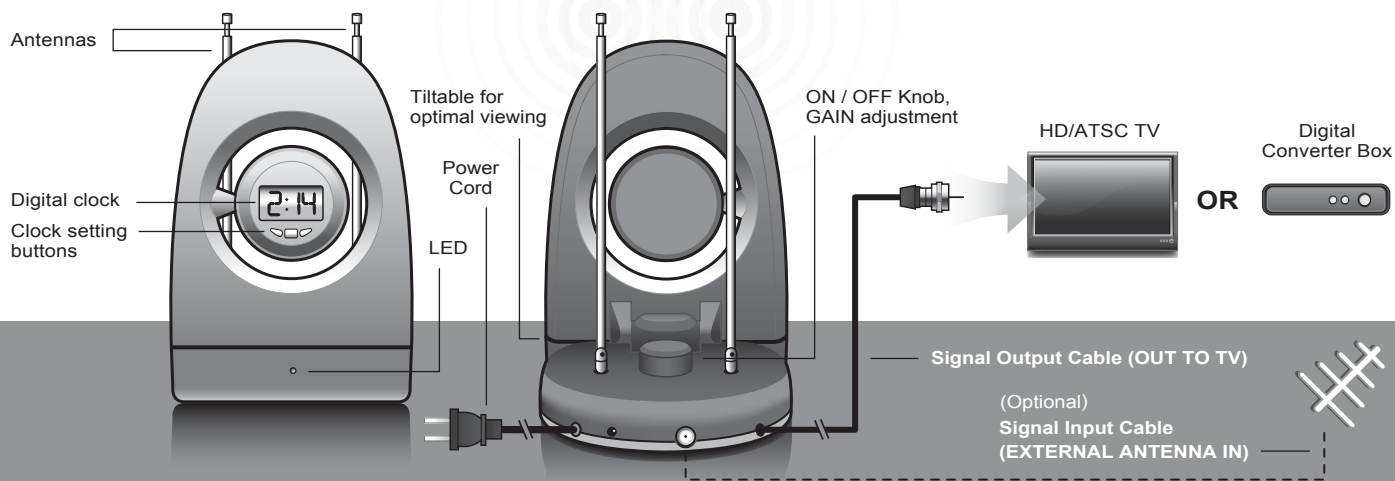
5. Place the antenna in an area for best optimal viewing. Picture quality may vary from channel to channel.

## 1 CONNECT

Simply connect the Signal Output Cable (OUT TO TV) directly to your TV or digital converter box.

## 2

## VIEW ALL AVAILABLE UHF, VHF & LOCAL HD TV BROADCASTS



### Specifications:

Type: Indoor  
Interface: Connects directly to your television or digital converter box  
Amplified: Yes  
Frequency Range: 40-230, 450-862 MHz  
HDTV reception: Yes  
Channel: VHF: 1-12 UHF: 13 to 69  
Gain: VHF: 32dB UHF: 40dB  
Output / Input resistance: 75 ohms  
Power voltage: AC110V ~ 60Hz

### Features:

- Amplified indoor HDTV antenna to receive UHF and VHF channels
- Optimized to receive all free local HD TV channels for HDTV ready TV or TV with a digital converter box
- High gain antenna can be oriented horizontally or vertically for optimum reception
- 1 Year limited warranty

### Requirements:

- Compatible TV or TV receiver

### Package Contents:

- HD TV Antenna (all cables required attached)
- Quick Start Guide
- Warranty / Registration Card